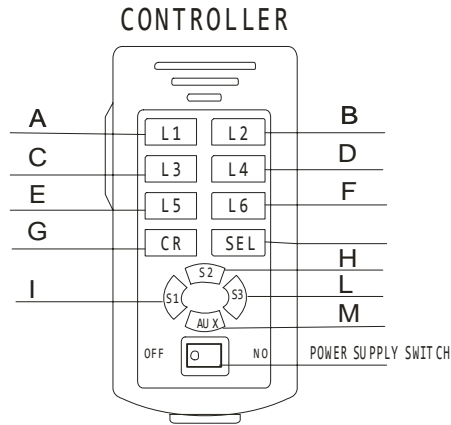
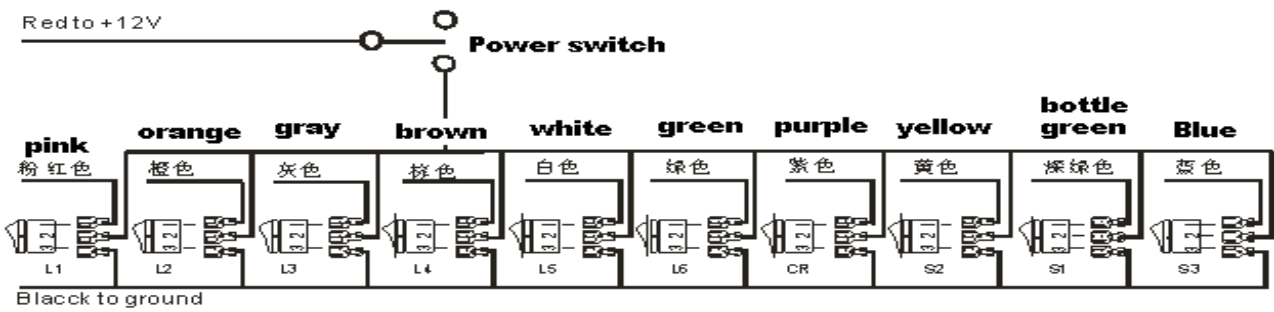


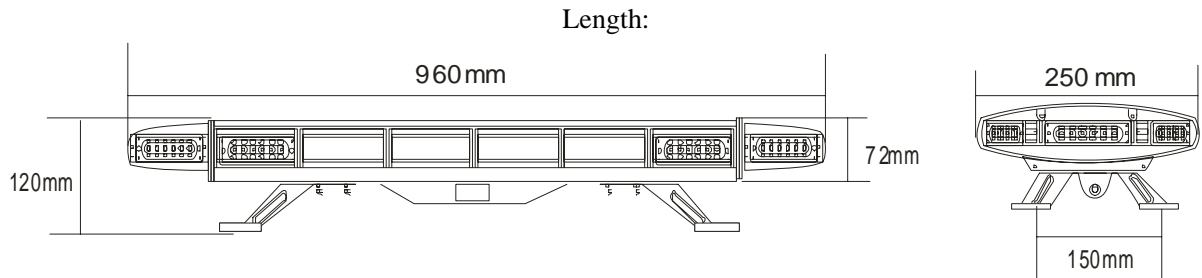
Specification of Sword light bar



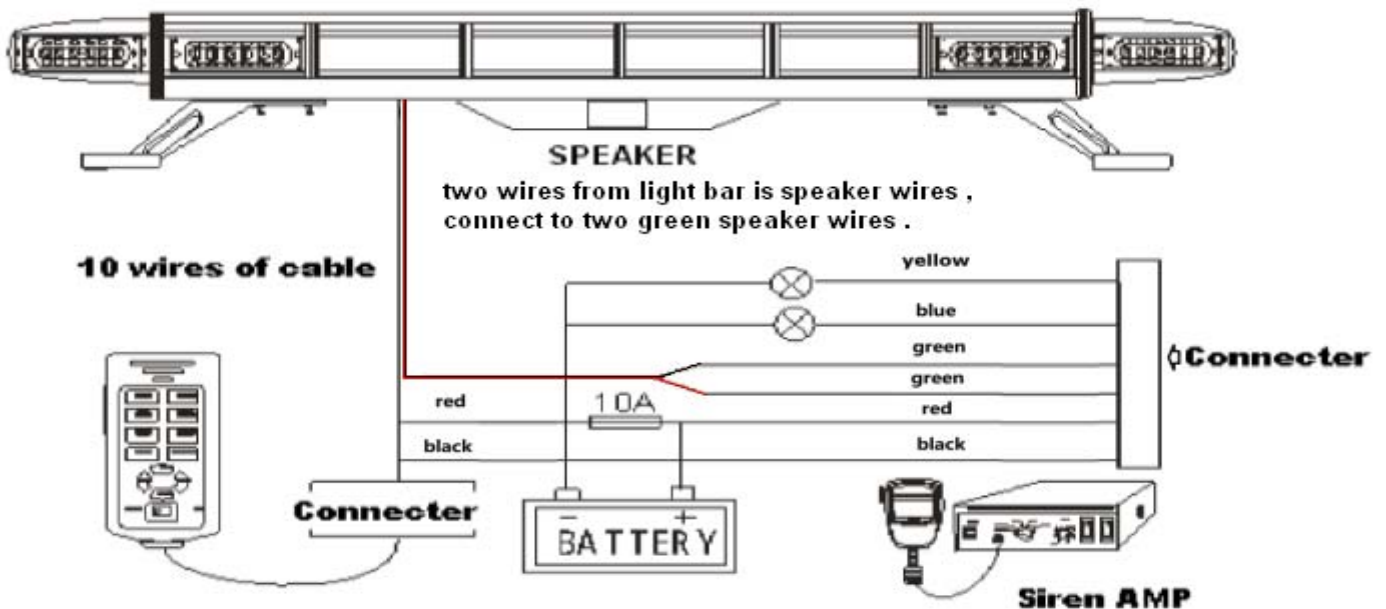
CONTROLLER WIRING



Note: every switch of current ≤ 100 milliamperes.



Light bar and siren speaker of wiring :



Technical specifications :

Working voltage :	DC12V
Color option :	red blue amber white
Flash pattern :	10 types
Waterproof :	IP67
Working Temperature :	-40°C~+70°C
Mounting :	Surface screw mount
Standard	ECE R10 ECE R65 and SAE
Light power	Blue flashing ≤ 35 watt , white light stable burn ≤ 28 watt , Amber flashing ≤ 14 watt , All light work together ≤ 80 watt

Product description :

High transparent polycarbonate lens with UV technology protection

Aluminum alloy base for durable and excellent heat dissipation function

Extremely bright LED for emergency ambulance ,police car ,tow truck so on.

Easy installation and low maintenance

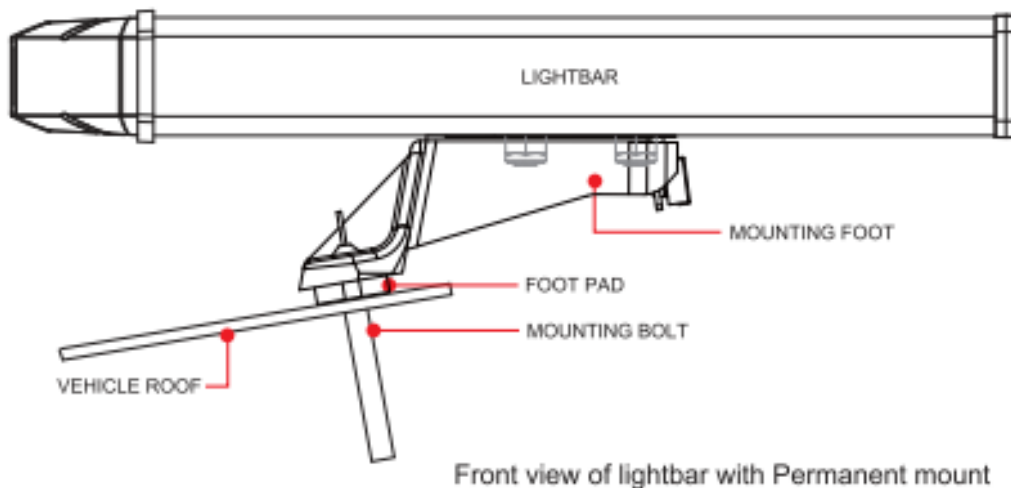
Color is optional within red, blue , white ,amber

IP67 waterproof standard

High Power LED bulb ,very bright

Innovative design and Top quality ensure customer profitability

Bracket installation



Technical Support : export@lhsafe.com

WENZHOU LIANHENG SAFETY EQUIPMENT CO.,LTD

WWW.LHSAFE.COM